



MasterFormat: 07 26 16

NOVEMBER 2018
(Supersedes May 2018)

PERMINATOR® TAPE

Overlap Seam Tape

DESCRIPTION

PERMINATOR TAPE is a self-adhesive tape, used in conjunction with the application of PERMINATOR underslab vapor barrier.

USES

PERMINATOR TAPE is for use in sealing vapor barrier seams and attachment to footings, protrusions, etc.

FEATURES/BENEFITS

- Backing stabilized to resist the effects of UV exposure.
- Product is very conformable.
- Maintains a watertight seal in all weather conditions.

PACKAGING

PERMINATOR TAPE is offered in 4" (101.6 mm) widths and roll lengths of 180' (55 m), 12 rolls/carton.

COVERAGE

One box of tape will adhere approximately 10 rolls of PERMINATOR.

SPECIFICATIONS

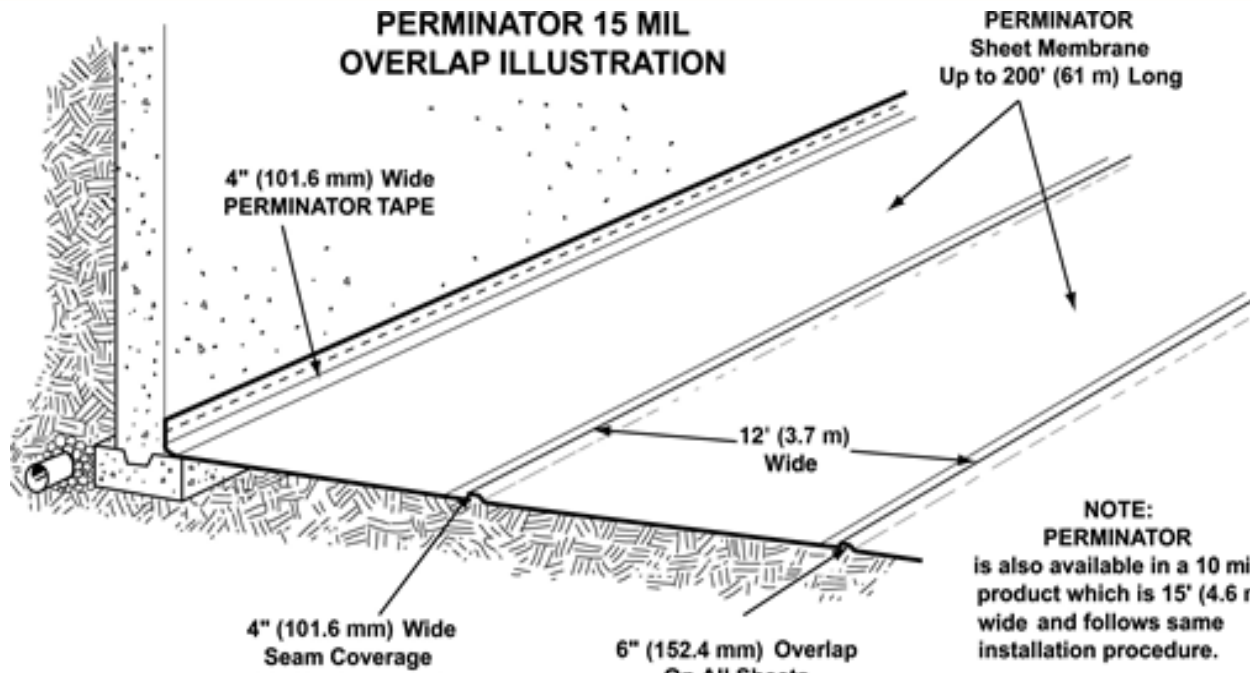
- ASTM E1643

TECHNICAL DATA

Property	Value	Property
Thickness	8 Mils (0.2 mm)	Thickness

APPLICATION

Surface Preparation ... The PERMINATOR TAPE area of adhesion should be free from dust, dirt, and moisture, to allow maximum adhesion of the pressure-sensitive tape.



CONTINUED ON THE REVERSE SIDE...

W. R. MEADOWS, INC.
P.O. Box 338 • HAMPSHIRE, IL 60140-0338
Phone: 847/214-2100 • Fax: 847/683-4544
1-800-342-5976
www.wrmeadows.com • info@wrmeadows.com

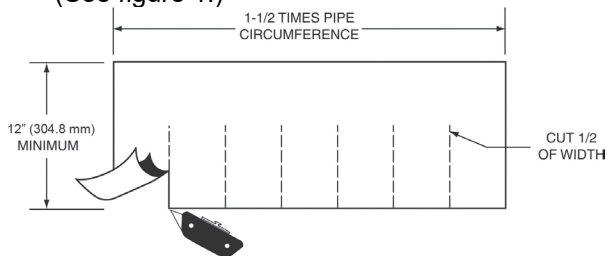
HAMPSHIRE, IL / CARTERSVILLE, GA / YORK, PA
FORT WORTH, TX / BENICIA, CA / POMONA, CA
GOODYEAR, AZ / MILTON, ON / SHERWOOD PARK, AB

Sealing Seams/Attaching to Footing ...

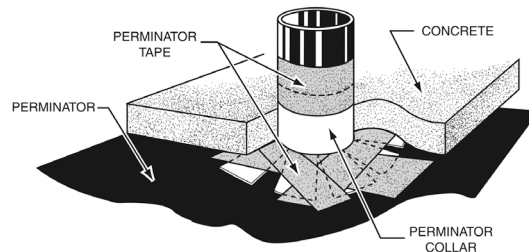
All joints/seams in the vapor barrier application, both lateral and butt, should be overlapped 6" (152.4 mm) and taped using PERMINATOR TAPE. The most efficient installation method includes placing PERMINATOR on top of the footing and against the vertical wall. This will sandwich PERMINATOR between the footing, vertical wall, and poured concrete floor (see illustration below). This will help protect the concrete slab from external moisture sources once the slab has been placed.

Sealing Protrusions ... Cut a slit around pipes, ductwork, rebar and wire penetrations to place the initial layer of the vapor barrier. To further protect the concrete slab from external moisture sources, use a piece of vapor barrier and place a collar around these as well.

1. Cut a piece of PERMINATOR a minimum of 12" (304.8 mm). The length should be 1 1/2 times the pipe circumference. With a roofer's knife or scissors, cut "fingers" half the width of the film. (See figure 1.)



2. Wrap around and tape the collar onto the pipe and completely tape fingers to the bottom layer of PERMINATOR, as shown in figure 2.



In the event that PERMINATOR is damaged during or after installation, repairs must be made. Cut a piece of the vapor barrier large enough to cover any damage by a minimum overlap of 6" (152.4 mm) in all directions. Clean all adhesion areas of dust, dirt and moisture. Tape down all edges using PERMINATOR TAPE.

LEED INFORMATION

May help contribute to LEED credits:

- EAp2: Minimum Energy Performance
- EAc2: Optimize Energy Performance
- MRc9: Construction and Demolition Waste Management

For most current data sheet, further LEED information, and SDS, visit www.wrmeadows.com.



LIMITED WARRANTY

W. R. MEADOWS, INC. warrants at the time and place we make shipment, our material will be of good quality and will conform with our published specifications in force on the date of acceptance of the order. Read complete warranty. Copy furnished upon request.

Disclaimer

The information contained herein is included for illustrative purposes only, and to the best of our knowledge, is accurate and reliable. W. R. MEADOWS, INC. cannot however under any circumstances make any guarantee of results or assume any obligation or liability in connection with the use of this information. As W. R. MEADOWS, INC. has no control

over the use to which others may put its product, it is recommended that the products be tested to determine if suitable for specific application and/or our information is valid in a particular circumstance. Responsibility remains with the architect or engineer, contractor and owner for the design, application and proper installation of each product. Specifier and user shall determine the suitability of products for specific application and assume all responsibilities in connection therewith.